

1. Getting Started

Kit Contents

- 3.5" TURBO LEOPARD Enclosure
- USB3.0 Cable
- Power Adapter
- Installation CD
- Screw Pack
- Stand
- QIG

Minimum System Requirements

- Available USB3.0 Host port of your computer
- Windows XP / VISTA / 7

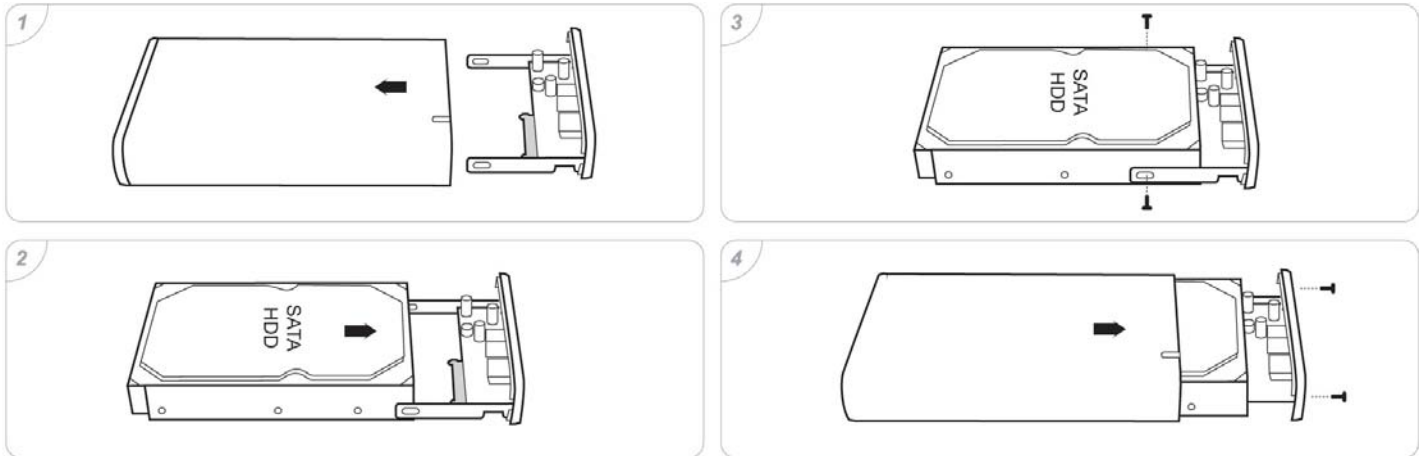
2. Assembling the 3.5" SATA HDD

Step 1 : Open the enclosure , and put out the PCB tray.

Step 2 : Insert SATA HDD into the SATA connector of PCB properly.

Step 3 : Put in the screws and tighten SATA HDD on the HDD mounting bracket.

Step 4 : Position the PCB and HDD set carefully into the aluminum casing, put the screws in and tighten them.



3. Connecting the Drive

1. Connect one end (USB3.0 A Type) of the USB3.0 Cable to your computer.
2. Connect the other end (USB3.0 B Type) of the USB3.0 Cable to the USB3.0 port on the rear of the enclosure.
3. Connect the power adapter to the power socket of the enclosure and switch the power on.
4. The power indication LED will blink and the presence of an external drive will be visible on the system tray.

4. Installing OTB Software

Note : OTB supports Windows XP / VISTA / 7 32bit system only.

1. Put Installation CD-ROM into the Optical Drive on your computer or laptop.
2. Select the correct OTB software version and then follow the installation procedures.
3. Once OTB is successfully installed in the computer or laptop, an OTB icon and manual will appear in the startup menu of your system.

5. Disconnecting the Drive

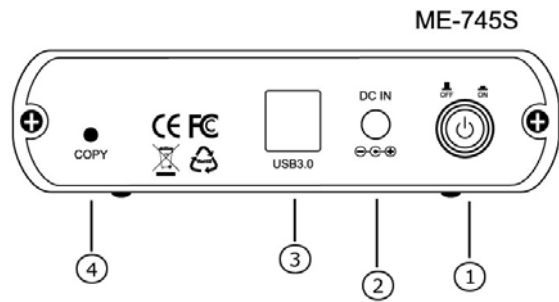
Caution : To prevent data loss, always be sure to close all active applications before shutting down the drive.

Windows

1. Double-click the Safely Remove Hardware icon in your system tray (typically located on the bottom right corner of your desktop).
2. Select the appropriate device from the list and click "Stop". Click "OK" to confirm your selection of the drive to be disconnected.
3. Click "Close" and ensure that the drive is powered off already.

6. Remarks

1. The detailed installation manual can be found in the "User Manual" of the CD.
2. The product is compliant with CE/FCC/UL/RoHS/WEEE.



Product Overview

1. Power Switch
2. Power Socket
3. USB3.0 Port
4. One-Touch-Backup Button